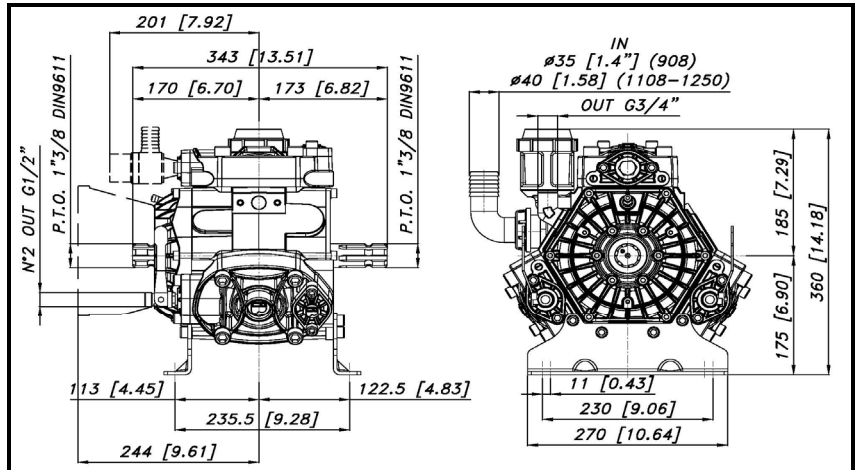
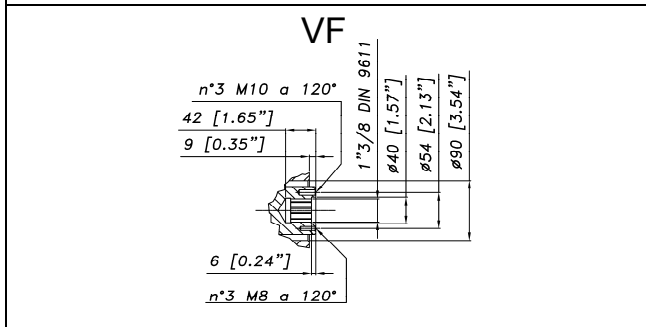
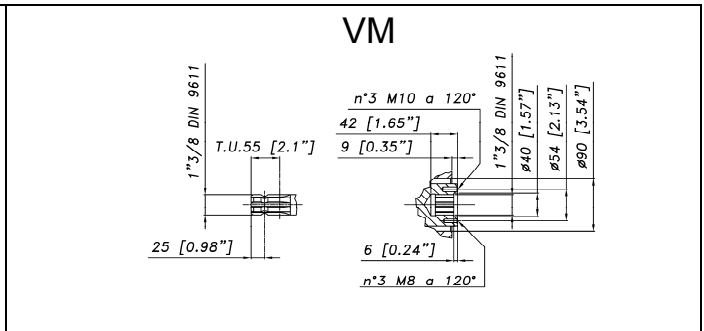
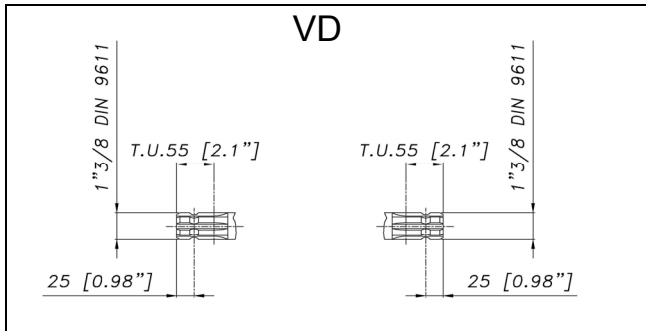


DIMENSIONI D'INGOMBRO - OVERALL DIMENSIONS



ALBERO POMPA - PUMP SHAFT



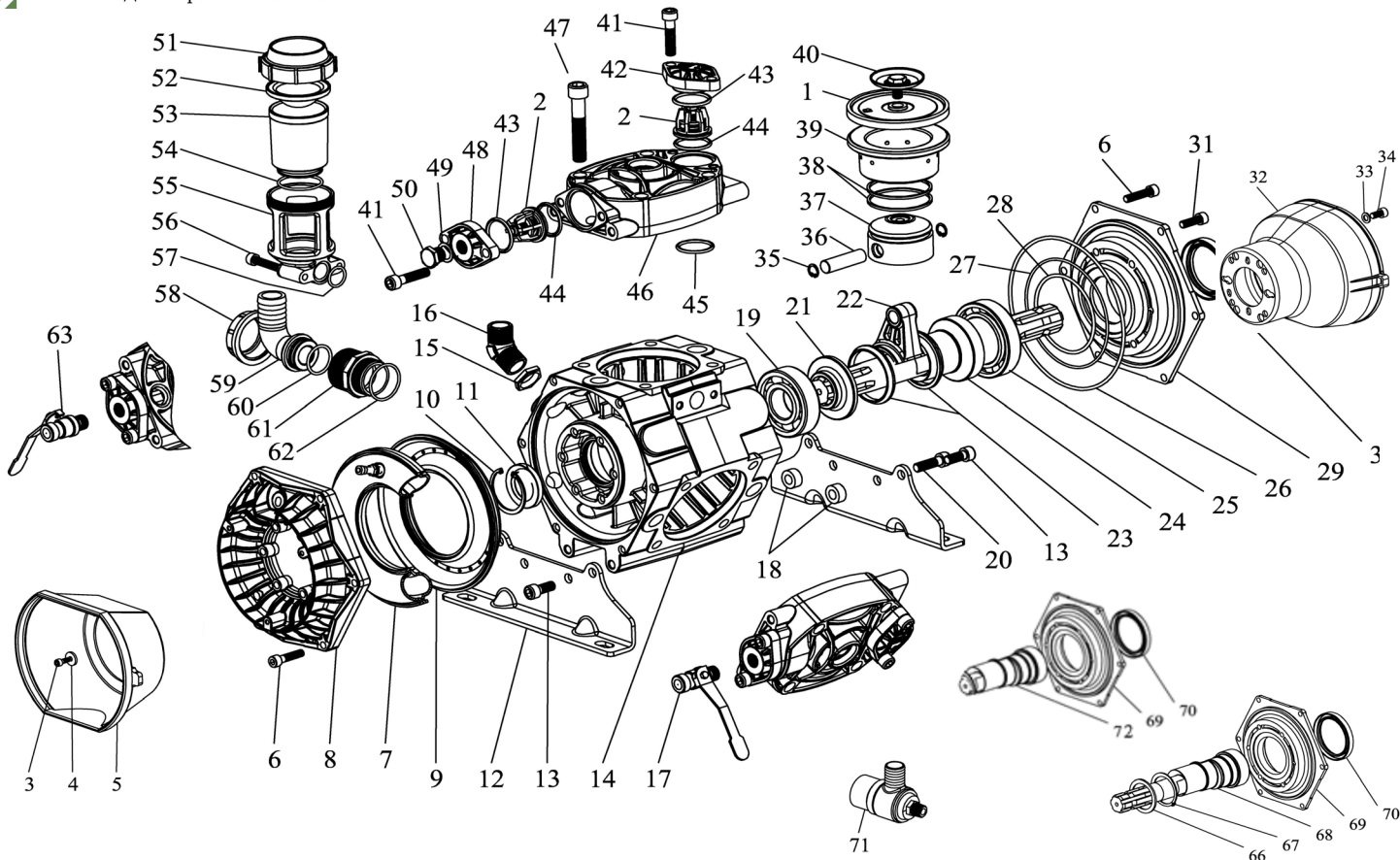
COPPIA DI SERRAGGIO - TORQUE CHART				
CODICE - CODE	Q.TY	POS	N-m	Lbr.ft
86.3265.00.2	6	13	44	32,5
86.2682.00.2	6	31	22	16,2
86.2852.00.2	2	56	22	16,2
41.9835.97.3	3	40	25	18,5
86.2752.00.2	18	6	22	16,2
86.3347.00.2	2	20	44	32,5
86.3300.00.2	12	41	44	32,5
86.4250.00.2	12	47	98	72,2

Tolleranza di serraggio: 0/-10%
Tolerance on torque value:

INFORMAZIONI UTILI USEFUL INFORMATION				
LUBRIFICANTE- LUBRICANT: OLIO MOTORE O SEMIIDRAULICO SAE 30 MOTOR OIL OR SEMI-HYDRAULIC OIL SAE 30				
PRESSIONE ACCUMULATORE ACCUMULATOR PRESSURE				
PRESSIONE DI LAVORO - OPERATING PRESSURE	2 ÷ 5	5÷10	10 ÷ 20	20 ÷ 50
ACCUMULATORE ACCUMULATOR	2	2 ÷ 5	5 ÷ 7	6 ÷ 8

KIT MEMBRANE - DIAPHRAGMS KIT																
KIT	BUNA - N			DESMOPAN			VITON					PENTAX				
POSIZIONE ESPLOSO POSITION NUMBER	1	7	45	1	7	45	1	7	26	27	43	44	59	1	7	45
QUANTITA' NEL KIT QUANTITIES INCLUDED	3	1	6	3	1	6	3	1	1	1	6	6	6	3	1	6

KIT POMPA/KIT VALVOLE - PUMP KIT/VALVES KIT																			
KIT	KIT POMPA VD PUMP KIT VD						KIT POMPA VM PUMP KIT VM						KIT VALVOLE VALVE KIT						
POSIZIONE ESPLOSO POSITION NUMBER	11	30	45	26	27	28	43	44	11	70	45	26	27	28	43	44	2	43	44
QUANTITA' NEL KIT QUANTITIES INCLUDED	1	1	6	1	1	1	6	6	1	1	6	1	1	1	6	6	6	6	6



POS.	CODICE PART NO. REF.	DENOMINAZIONE - DESCRIPTION - DESCRIPTION	Q.TY	POS.	CODICE PART NO. REF.	DENOMINAZIONE - DESCRIPTION - DESCRIPTION	Q.TY
1	95.0040.31.2	BUNA-N PISTON DIAPHRAGM	3	33	84.3801.00.2	WASHER DIA.10,5x18x2 (OPTIONAL)	4
1	95.0040.33.2	VITON PISTON DIAPHRAGM (OPTIONAL)	3	34	86.3187.00.2	SCREW M10x18 UNI 5931 (OPTIONAL)	4
1	95.0040.00.2	DESMPAN PISTON DIAPHRAGM (OPTIONAL)	3	35	80.0021.00.2	RING DIA.15	6
1	95.0040.36.2	HPS PISTON DIAPHRAGM (OPTIONAL)	3	36	85.2007.00.2	PISTON PIN DIA.15x24	3
2	35.9802.97.3	VALVES ASSEMBLY	6	37	37.0016.09.2	PISTON PA/S 1108	3
3	86.1846.00.2	SCREW M5,5x16 UNI 6954 (OPTIONAL)	3	37	48.0028.09.2	PISTON PA/S 1250	3
4	84.3560.00.2	WASHER DIA. 5,5x15x1,6 (OPTIONAL)	3	38	81.8527.00.2	PISTON RING PA/S 1108	6
5	31.1466.32.2	PLAIN SAFETY CONE (OPTIONAL)	1	38	81.8530.00.2	PISTON RING PA/S 1250	6
6	86.2752.00.2	SCREW M8x35 UNI 5931	18	39	43.0015.01.2	PISTON SLEEVE PA/S 1108	3
7	41.0120.97.3	NBR BALLASTER DIAPHRAGM	1	39	48.0029.01.2	PISTON SLEEVE PA/S 1250	3
7	41.0121.97.3	VITON BALLASTER DIAPHRAGM (OPTIONAL)	1	40	41.9835.97.3	KIT DISK + SCREW INOX	3
7	41.0122.97.3	EPDM BALLASTER DIAPHRAGM (OPTIONAL)	1	41	86.3300.00.2	SCREW M10x30 UNI 5931	12
7	41.0123.97.3	HPS BALLASTER DIAPHRAGM (OPTIONAL)	1	42	41.0109.09.2	VALVE COVER	3
8	37.0108.09.2	BALLASTER COVER	1	43	80.3262.00.2	O-RING DIA.3,53x41,28	6
9	41.0104.09.2	LOWER BALLASTER	1	44	80.3251.00.2	O-RING DIA.3,53x32,93	6
10	80.1369.00.2	RING DIA.52	1	44	80.3251.00.2	O-RING DIA.3,53x32,93	6
11	80.2143.10.2	OIL SEAL DIA.35x52x7 (VD-VM)	1	45	80.3200.00.2	O-RING DIA.2,62x22,22	6
11	80.2099.60.2	CAP 52x7 (VF)	1	45	80.3200.00.2	O-RING DIA.2,62x22,22	6
12	37.0109.61.2	MOUNTING RAIL	2	46	41.0111.09.2	PUMP HEAD	3
13	86.3265.00.2	SCREW M10x25 UNI 5931	6	47	86.4250.00.2	SCREW M14x70 UNI 5931	12
14	37.0107.09.2	CRANKCASE	1	48	41.0110.09.2	VALVE COVER G.3/8"	3
15	81.4909.00.2	BRASS G.3/4 NUT	1	49	82.4107.00.2	GASKET	1
16	83.5063.28.2	60° ELBOW CONNECTOR G.3/4	1	50	85.2579.00.2	CAP G.3/8"	1
17	84.5544.10.2	LEFT TAP G.3/8-G.1/2	1	51	28.0144.32.2	OIL FILLER COVER	1
18	41.0115.75.2	MOUNTING RAIL SPACER	2	52	41.0017.31.2	OIL FILLER DIAPHRAGM	1
19	81.2867.00.2	BEARING35X80X21	1	53	41.0016.32.2	OIL FILLER	1
20	86.3347.00.2	SCREW M10x35 UNI 5931	2	54	80.3209.40.2	O-RING DIA.2,62x44,12	1
21	28.0027.09.2	CIRCLIP	1	55	35.0009.09.2	OIL FILLER BODY	1
22	35.0011.09.2	CONROD	3	56	86.2852.00.2	SCREW M8x45 UNI 5931	2
22	35.0047.11.2	BRONZE CONROD (OPTIONAL)	3	57	80.3195.00.2	O-RING DIA.2,62x20,24	1
23	98.0047.76.2	CONROD HOLDING RING	2	58	82.0070.00.2	WING NUT G.1"1/2	1
24	37.0021.26.2	CRANKSHAFT "VD" (1"3/8 M-M)	1	59	84.0591.00.2	90° ELBOW CONNECTOR DIA.40-1,57"	1
25	81.2972.00.2	BEARING 55X90X18	1	60	80.3219.10.2	O-RING DIA.3,0x30	1
26	80.3291.50.2	O-RING DIA. 3,53x177,39	1	61	83.5090.35.2	NIPPLES G1"1/4 - G1"1/2 M-M	1
26	80.3291.60.2	O-RING DIA. 3,53x177,39 (KIT VITON)	1	62	80.3209.00.2	O-RING DIA.2,62x39,34	1
27	80.3210.70.2	O-RING DIA. 2,62x126,67	1	63	84.5544.00.2	RIGHT TAP G.3/8-G.1/2	1
27	80.3210.75.2	O-RING DIA. 2,62x126,67 (KIT VITON)	1	66	35.0038.76.2	CONROD SPACER "VM"	1
28	80.3291.00.2	O-RING DIA. 3,53x88,5	1	67	80.1377.00.2	RING DIA.55 "VM"	1
29	35.0007.09.2	INLET COVER "VD"	1	68	37.0022.26.2	CRANKSHAFT "VM"	1
30	80.2250.10.2	OIL SEAL DIA.55x72x10	1	69	35.0044.09.2	INLET COVER "VM"	1
31	86.2682.00.2	SCREW M8x25 UNI 5931	6	70	80.2264.10.2	OIL SEAL "VM"	1
32	31.1482.32.2	PLAIN SAFETY CONE L.180 (OPTIONAL)	1	71	24.3050.97.3	SAFETY VALVE 50 BAR (OPTIONAL)	1
32	31.1468.32.2	PLAIN SAFETY CONE L.135 (OPTIONAL)	1	72	37.0030.26.2	CRANKSHAFT "VF"	1
33	84.3801.00.2	WASHER DIA.10,5x18x2 (OPTIONAL)	4				