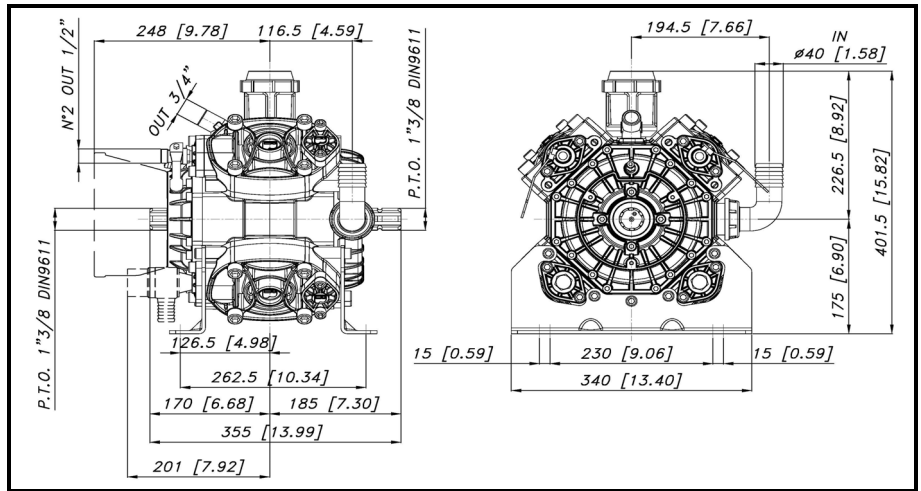
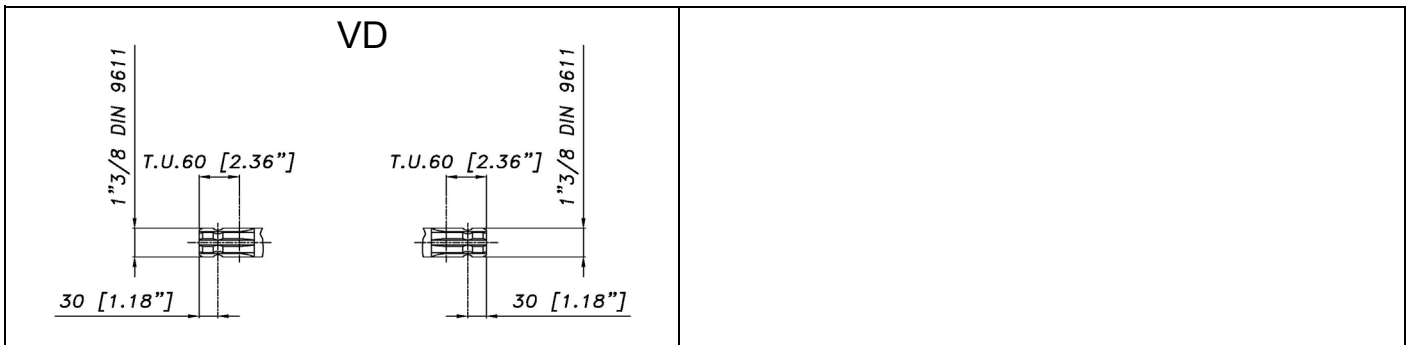


DIMENSIONI D'INGOMBRO - OVERALL DIMENSIONS



ALBERO POMPA - PUMP SHAFT



COPPIA DI SERRAGGIO - TORQUE CHART					
CODICE - CODE	Q.TY	POS	N.m	Lbr.ft	
86.2730.00.2	20	3	22	16,2	
86.2752.00.2	8	4	22	16,2	
86.3265.00.2	9	12	44	32,5	
86.3347.00.2	1	15	44	32,5	
41.9835.97.3	4	22	25	18,5	
86.4250.00.2	16	45	108	79,7	
86.3300.00.2	16	52	44	32,5	
Tolleranza di serraggio:			0/-10%		
Tolerance on torque value:			0/-10%		

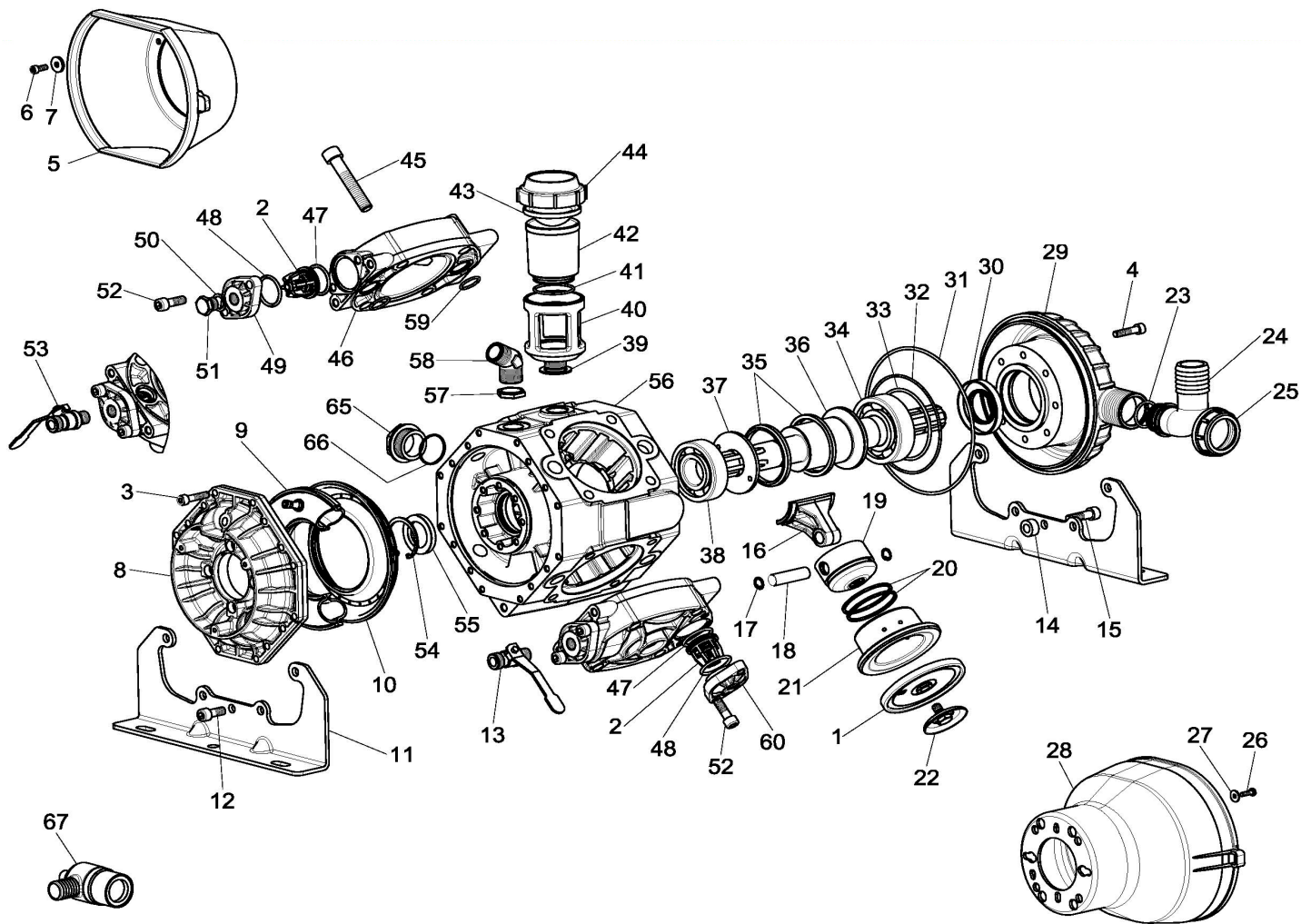
INFORMAZIONI UTILI USEFUL INFORMATION				
LUBRIFICANTE- LUBRICANT:				
OLIO MOTORE O SEMIIDRAULICO SAE 30 MOTOR OIL OR SEMI-HYDRAULIC OIL SAE 30				
PRESSIONE ACCUMULATORE ACCUMULATOR PRESSURE				
PRESSIONE DI LAVORO - OPERATING PRESSURE	2 ÷ 5	5 ÷ 10	10 ÷ 20	20 ÷ 50
ACCUMULATORE ACCUMULATOR	2	2 ÷ 5	5 ÷ 7	6 ÷ 8

KIT MEMBRANE - DIAPHRAGMS KIT

KIT	BUNA - N			DESMOPAN			VITON					PENTAX									
	41.9875.97.3	1	9	59	41.9876.97.3	1	9	59	41.9876.97.3	1	9	31	32	47	48	59	41.9878.97.3	1	9	59	
POSIZIONE ESPLOSO POSITION NUMBER																					
QUANTITA' NEL KIT QUANTITIES INCLUDED	4	1	8	8	4	1	8	8	4	1	1	1	8	8	8	8	4	1	8		

KIT POMPA/KIT VALVOLE - PUMP KIT/VALVES KIT

KIT	KIT POMPA VD PUMP KIT VD								KIT VALVOLE VALVE KIT				
	41.9882.97.3	55	30	59	31	32	33	47		48	41.9870.97.3	2	47
POSIZIONE ESPLOSO POSITION NUMBER													
QUANTITA' NEL KIT QUANTITIES INCLUDED	1	1	8	1	1	1	8	8	8	8	8	8	



POS.	CODICE PART NO. REF.	DENOMINAZIONE - DESCRIPTION - DESCRIPTION	Q.TY	POS.	CODICE PART NO. REF.	DENOMINAZIONE - DESCRIPTION - DESCRIPTION	Q.TY
1	95.0040.31.2	BUNA-N PISTON DIAPHRAGM	4	31	80.3295.00.2	O-RING DIA.3.53x190,10	1
1	95.0040.33.2	VITON PISTON DIAPHRAGM (OPTIONAL)	4	31	80.3295.50.2	O-RING DIA.3.53x190,10 (KIT VITON)	1
1	95.0040.00.2	DESMOPAN PISTON DIAPHRAGM (OPTIONAL)	4	32	80.3210.70.2	O-RING DIA.2.62x126,67	1
1	95.0040.36.2	HPS PISTON DIAPHRAGM (OPTIONAL)	4	32	80.3210.75.2	O-RING DIA.2.62x126,67 (KIT VITON)	1
2	35.9802.97.3	VALVES ASSEMBLY	8	33	80.3291.00.2	O-RING DIA.3.53x88,5	1
3	86.2730.00.2	SCREW M8x30 UNI 5931	20	34	81.2913.00.2	BEARING 45X90X23	1
4	86.2752.00.2	SCREW M8x35 UNI 5931	8	35	14.0015.76.2	CONROD HOLDING RING	2
5	31.1466.32.2	PLAIN SAFETY CONE (OPTIONAL)	1	36	41.0033.26.2	CRANKSHAFT "VD" (1"3/8 M-M)	1
6	86.1846.00.2	SCREW M5,5x16 UNI 6954 (OPTIONAL)	3	37	41.0023.61.2	CIRCLIP	1
7	84.3560.00.2	WASHER DIA. 5,5x15x1,6 (OPTIONAL)	3	38	81.2867.00.2	BEARING 35X80X21	1
8	41.0105.09.2	BALLASTER COVER	1	39	82.4191.00.2	GASKET DIA.27x38x2	1
9	41.0120.97.3	NBR BALLASTER DIAPHRAGM	1	40	41.0015.09.2	OIL FILLER BODY	1
9	41.0121.97.3	VITON BALLASTER DIAPHRAGM (OPTIONAL)	1	41	80.3209.40.2	O-RING DIA.2.62x44,12	1
9	41.0122.97.3	EPDM BALLASTER DIAPHRAGM (OPTIONAL)	1	42	41.0016.32.2	SERBATOIO OLIO	1
9	41.0123.97.3	HPS BALLASTER DIAPHRAGM (OPTIONAL)	1	43	41.0017.31.2	MEMBRANA SERBATOIO OLIO	1
11	41.0113.61.2	MOUNTING RAIL	2	44	28.0144.32.2	COPERCHIO SERBATOIO	1
12	86.3265.00.2	SCREW M10x25 UNI 5931	9	45	86.4250.00.2	SCREW M14x70 UNI 5931	16
13	84.5544.10.2	LEFT TAP G.3/8-G.1/2	1	46	41.0111.09.2	PUMP HEAD	4
14	41.0115.75.2	MOUNTING RAIL SPACER	1	47	80.3251.00.2	O-RING DIA.3.53x32,93	8
15	86.3347.00.2	SCREW M10x35 UNI 5931	1	47	80.3251.50.2	O-RING DIA.3.53x32,93 (KIT VITON)	8
16	41.0009.09.2	CONROD	4	48	80.3262.00.2	O-RING DIA.3.53x41,28	8
16	41.0047.11.2	BRONZE CONROD (OPTIONAL)	4	48	80.3262.50.2	O-RING DIA.3.53x41,28 (KIT VITON)	8
17	80.0021.00.2	RING DIA.15	8	49	41.0110.09.2	VALVE COVER G.3/8"	4
18	85.2007.00.2	PISTON PIN DIA.15x54	4	50	82.4107.00.2	GASKET	2
19	41.0025.09.2	PISTON	4	51	85.2579.00.2	CAP G.3/8"	2
20	81.8524.00.2	PISTON RING	8	52	86.3300.00.2	SCREW M10x30 UNI 5931	16
21	41.0026.01.2	PISTON SLEEVE	4	53	84.5544.00.2	RIGHT TAP G.3/8-G.1/2	1
22	41.9835.97.3	KIT DISK + SCREW INOX	4	54	80.1369.00.2	RING DIA.52	1
23	80.3219.10.2	O-RING DIA. 3.0x30	1	55	80.2143.10.2	OIL SEAL DIA.35x52x7	1
24	84.0591.00.2	90° ELBOW CONNECTOR DIA.40-1,57"	1	56	41.0108.09.2	CRANKCASE	1
25	82.0070.00.2	WING NUT G.1"1/2	1	57	81.4909.00.2	NUT G.3/4 OT.	1
26	86.1846.00.2	SCREW M5,5x16 UNI 6954 (OPTIONAL)	4	58	83.5063.28.2	60° ELBOW CONNECTOR G.3/4	1
27	84.3560.00.2	WASHER DIA.5,5x15x1,6 (OPTIONAL)	4	59	80.3200.00.2	O-RING DIA.2.62x22,22	8
28	31.1482.32.2	PLAIN SAFETY CONE L.180 (OPTIONAL)	1	59	80.3200.50.2	O-RING DIA.2.62x22,22 (KIT VITON)	8
28	31.1468.32.2	PLAIN SAFETY CONE L.135 (OPTIONAL)	1	60	41.0109.09.2	VALVE COVER	4
29	41.0112.09.2	INLET COVER "VD"	1	65	85.3520.00.2	NYLON CAP M40x1,5	1
30	80.2190.00.2	OIL SEAL DIA.40x72x10 "VD"	1	66	80.3080.10.2	O-RING DIA.1,78x34,65	1
				67	24.3050.97.3	VALVOLA DI SICUREZZA 50 BAR (OPTIONAL)	1