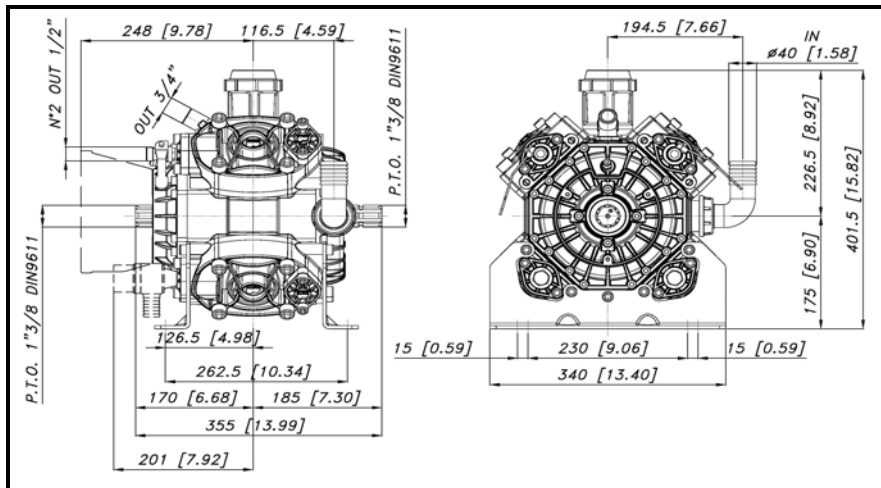
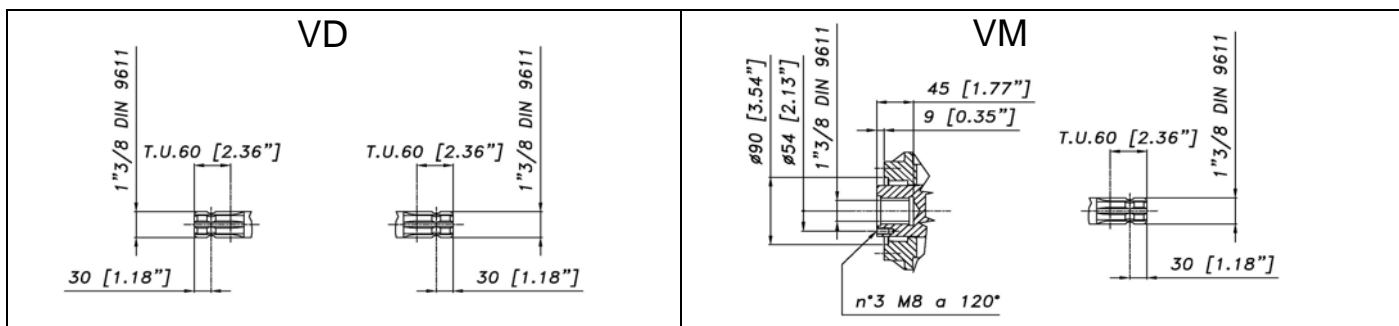




DIMENSIONI D'INGOMBRO - OVERALL DIMENSIONS



ALBERO POMPA - PUMP SHAFT



COPPIA DI SERRAGGIO - TORQUE CHART

CODICE - CODE	Q.TY	POS	N.m	Lbr.ft
86.2730.00.2	20	3	22	16,2
86.2752.00.2	8	4	22	16,2
86.3265.00.2	9	12	44	32,5
86.3347.00.2	1	15	44	32,5
41.9835.97.3	4	22	25	18,5
86.4250.00.2	16	45	108	79,7
86.3300.00.2	16	52	44	32,5

Tolleranza di serraggio: 0/-10%
Tolerance on torque value:

INFORMAZIONI UTILI - USEFUL INFORMATION

LUBRIFICANTE - LUBRICANT:
OLIO MOTORE O SEMIIDRAULICO SAE 30
MOTOR OIL OR SEMI-HYDRAULIC OIL SAE 30

PRESSIONE ACCUMULATORE - ACCUMULATOR PRESSURE

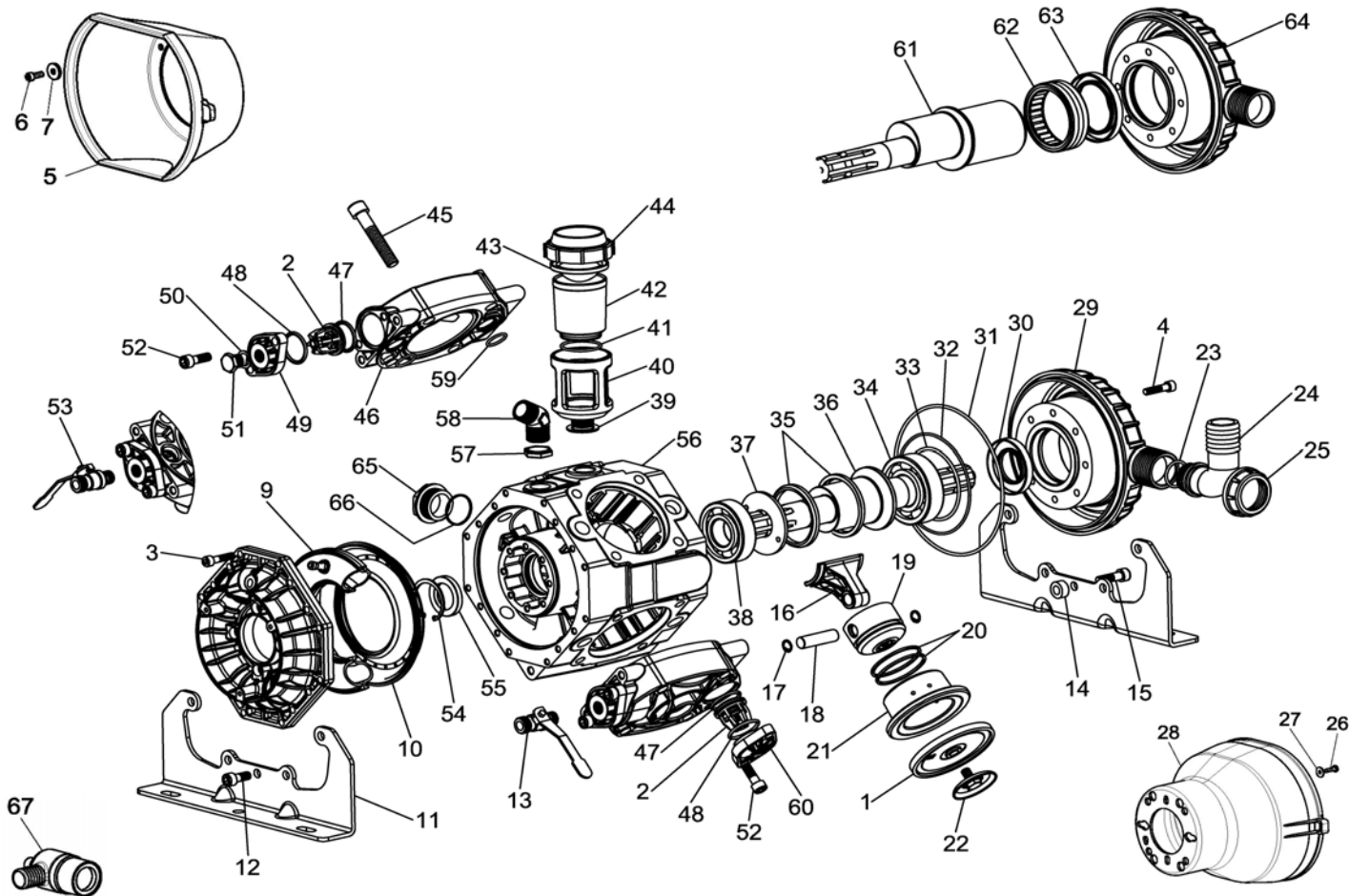
PRESSIONE DI LAVORO - OPERATING PRESSURE	2 ÷ 5	5 ÷ 10	10 ÷ 20	20 ÷ 50
ACCUMULATORE - ACCUMULATOR	2	2 ÷ 5	5 ÷ 7	6 ÷ 8

KIT MEMBRANE - DIAPHRAGMS KIT

KIT	BUNA - N			DESMOPAN			VITON					PENTAX									
	41.9875.97.3	1	9	59	41.9876.97.3	1	9	59	41.9878.97.3	1	9	31	32	47	48	59	41.9870.97.3	1	9	59	
POSIZIONE ESPLOSO - POSITION NUMBER																					
QUANTITA' NEL KIT - QUANTITIES INCLUDED	4	4	1	8	4	4	1	8	4	4	1	1	1	8	8	8	4	4	1	8	

KIT POMPA/KIT VALVOLE - PUMP KIT/VALVES KIT

KIT	KIT POMPA VD - PUMP KIT VD								41.9883.97.3	KIT POMPA VM - PUMP KIT VM								41.9870.97.3	KIT VALVOLE - VALVE KIT			
	41.9882.97.3	55	30	59	31	32	33	47		48	55	63	59	31	32	33	47		48	41.9870.97.3	2	47
POSIZIONE ESPLOSO - POSITION NUMBER																						
QUANTITA' NEL KIT - QUANTITIES INCLUDED	1	1	8	1	1	1	8	8	1	1	8	1	1	1	8	8	8	8	8	8	8	



POS.	CODICE PART NO. REF.	DENOMINAZIONE - DESCRIPTION - DESCRIPTION	Q.TY	POS.	CODICE PART NO. REF.	DENOMINAZIONE - DESCRIPTION - DESCRIPTION	Q.TY
1	95.0040.31.2	BUNA-N PISTON DIAPHRAGM	4	33	80.3291.00.2	O-RING DIA.3,53x88,5	1
1	95.0040.33.2	VITON PISTON DIAPHRAGM (OPTIONAL)	4	34	81.2913.00.2	BEARING 45X90X23	1
1	95.0040.00.2	DESMOPAN PISTON DIAPHRAGM (OPTIONAL)	4	35	14.0015.76.2	CONROD HOLDING RING	2
1	95.0040.36.2	HPS PISTON DIAPHRAGM (OPTIONAL)	4	36	41.0033.26.2	CRANKSHAFT "VD" (1"3/8 M-M)	1
2	35.9802.97.3	VALVES ASSEMBLY	8	37	41.0023.61.2	CIRCLIP	1
3	86.2730.00.2	SCREW M8x30 UNI 5931	20	38	81.2867.00.2	BEARING35X80X21	1
4	86.2752.00.2	SCREW M8x35 UNI 5931	8	39	82.4191.00.2	GASKET DIA.27x38x2	1
5	31.1466.32.2	PLAIN SAFETY CONE (OPTIONAL)	1	40	41.0015.09.2	OIL FILLER BODY	1
6	86.1846.00.2	SCREW M5,5x16 UNI 6954 (OPTIONAL)	3	41	80.3209.40.2	O-RING DIA.2,62x44,12	1
7	84.3560.00.2	WASHER DIA. 5,5x15x1,6 (OPTIONAL)	3	42	41.0016.32.2	OIL FILLER	1
8	41.0105.09.2	BALLASTER COVER	1	43	41.0017.31.2	OIL FILLER DIAPHRAGM	1
9	41.0120.97.3	NBR BALLASTER DIAPHRAGM	1	44	28.0144.32.2	OIL FILLER COVER	1
9	41.0121.97.3	VITON BALLASTER DIAPHRAGM (OPTIONAL)	1	45	86.4250.00.2	SCREW M14x70 UNI 5931	16
9	41.0122.97.3	EPDM BALLASTER DIAPHRAGM (OPTIONAL)	1	46	41.0111.09.2	PUMP HEAD	4
9	41.0123.97.3	HPS BALLASTER DIAPHRAGM (OPTIONAL)	1	47	80.3251.00.2	O-RING DIA.3,53x32,93	8
10	41.0104.09.2	LOWER BALLASTER	1	47	80.3251.50.2	O-RING DIA.3,53x32,93 (KIT VITON)	8
11	41.0113.61.2	MOUNTING RAIL	2	48	80.3262.00.2	O-RING DIA.3,53x41,28	8
12	86.3265.00.2	SCREW M10x25 UNI 5931	9	48	80.3262.50.2	O-RING DIA.3,53x41,28 (KIT VITON)	8
13	84.5544.10.2	LEFT TAP G.3/8-G.1/2	1	49	41.0110.09.2	VALVE COVER G.3/8"	4
14	41.0115.75.2	MOUNTING RAIL SPACER	1	50	82.4107.00.2	GASKET	2
15	86.3347.00.2	SCREW M10x35 UNI 5931	1	51	85.2579.00.2	CAP G.3/8"	2
16	41.0009.09.2	CONROD	4	52	86.3300.00.2	SCREW M10x30 UNI 5931	16
16	41.0047.11.2	BRONZE CONROD (OPTIONAL)	4	53	84.5544.00.2	RIGHT TAP G.3/8-G.1/2	1
17	80.0021.00.2	RING DIA.15	8	54	80.1369.00.2	RING DIA.52	1
18	85.2007.00.2	PISTON PIN DIA.15x24	4	55	80.2143.10.2	OIL SEAL DIA.35x52x7	1
19	37.0016.09.2	PISTON	4	56	41.0108.09.2	CRANKCASE	1
20	81.8527.00.2	PISTON RING	8	57	81.4909.00.2	BRASS G.3/4 NUT	1
21	43.0015.01.2	PISTON SLEEVE	4	58	83.5063.28.2	60° ELBOW CONNECTOR G.3/4	1
22	41.9835.97.3	KIT DISK + SCREW INOX	4	59	80.3200.00.2	O-RING DIA.2,62x22,22	8
23	80.3219.10.2	O-RING DIA. 3.0x30	1	59	80.3200.50.2	O-RING DIA.2,62x22,22 (KIT VITON)	8
24	84.0591.00.2	90° ELBOW CONNECTOR DIA.40-1,57"	1	60	41.0109.09.2	VALVE COVER	4
25	82.0070.00.2	WING NUT G.1"1/2	1	61	41.0042.26.2	CRANKSHAFT "VM" (1"3/8 M-F)	1
26	86.1846.00.2	SCREW M5,5x16 UNI 6954 (OPTIONAL)	4	62	81.3027.00.2	BEARING 72X90X25	1
27	84.3560.00.2	WASHER DIA.5,5x15x1,6 (OPTIONAL)	4	63	80.2286.00.2	OIL SEAL DIA.72x90x10 "VM"	1
28	31.1482.32.2	PLAIN SAFETY CONE L.180 (OPTIONAL)	1	64	41.0116.09.2	INLET COVER "VM" - "MF"	1
28	31.1468.32.2	PLAIN SAFETY CONE L.135 (OPTIONAL)	1	65	85.3520.00.2	NYLON CAP M40x1,5	1
29	41.0112.09.2	INLET COVER "VD"	1	66	80.3080.10.2	O-RING DIA.1,78x34,65	1
30	80.2190.00.2	OIL SEAL DIA.40x72x10 "VD"	1	67	24.3050.97.3	SAFETY VALVE 50 BAR (OPTIONAL)	1
31	80.3295.00.2	O-RING DIA.3,53x190,10	1				
31	80.3295.50.2	O-RING DIA.3,53x190,10 (KIT VITON)	1				
32	80.3210.70.2	O-RING DIA.2,62x126,67	1				
32	80.3210.75.2	O-RING DIA.2,62x126,67 (KIT VITON)	1				