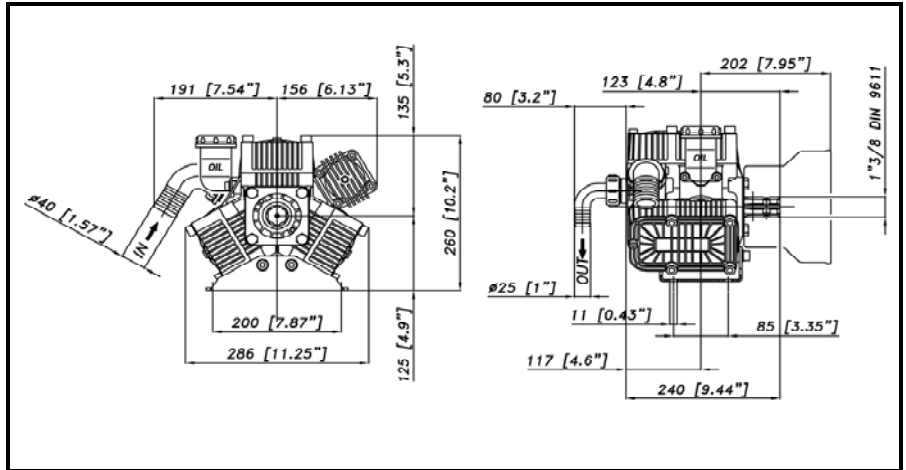
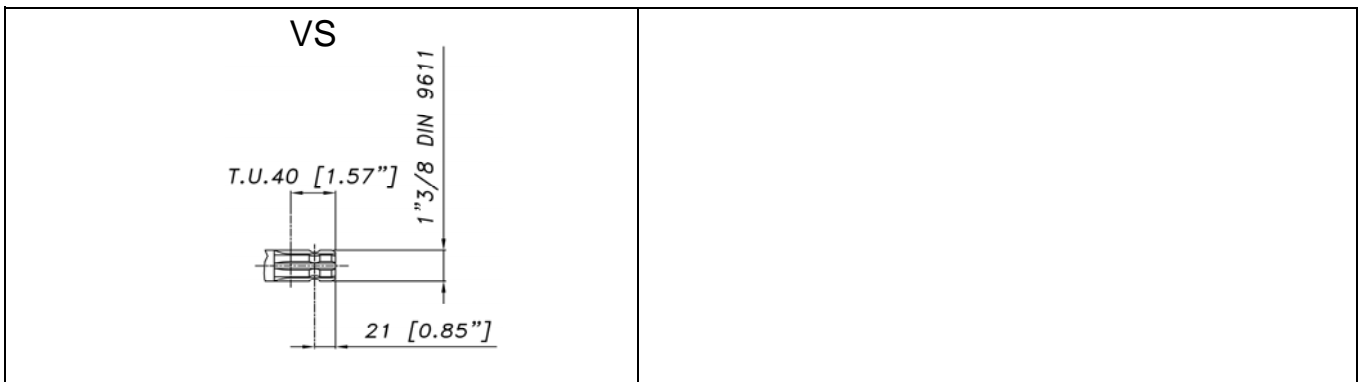


DIMENSIONI D'INGOMBRO - OVERALL DIMENSIONS



ALBERO POMPA - PUMP SHAFT



COPPIA DI SERRAGGIO - TORQUE CHART

CODICE - CODE	Q.TY	POS	N-m	Lbr.ft
63.0018.51.2	3	33	25	18,5
83.5089.00.2	1	41	20	14,8
85.2585.00.2	1	50	5 (LOXEAL 55-14)	3,7 (LOXEAL 55-14)
86.2682.50.2	2	22	5	3,7
86.3002.00.2	3	36	10	7,4
86.3184.00.2	4	31	22	16,3
86.3264.00.2	3	17	44	32,5
86.3562.50.2	12	35	30	22

Tolleranza di serraggio: 0/-10%
Tolerance on torque value:

INFORMAZIONI UTILI
USEFUL INFORMATION

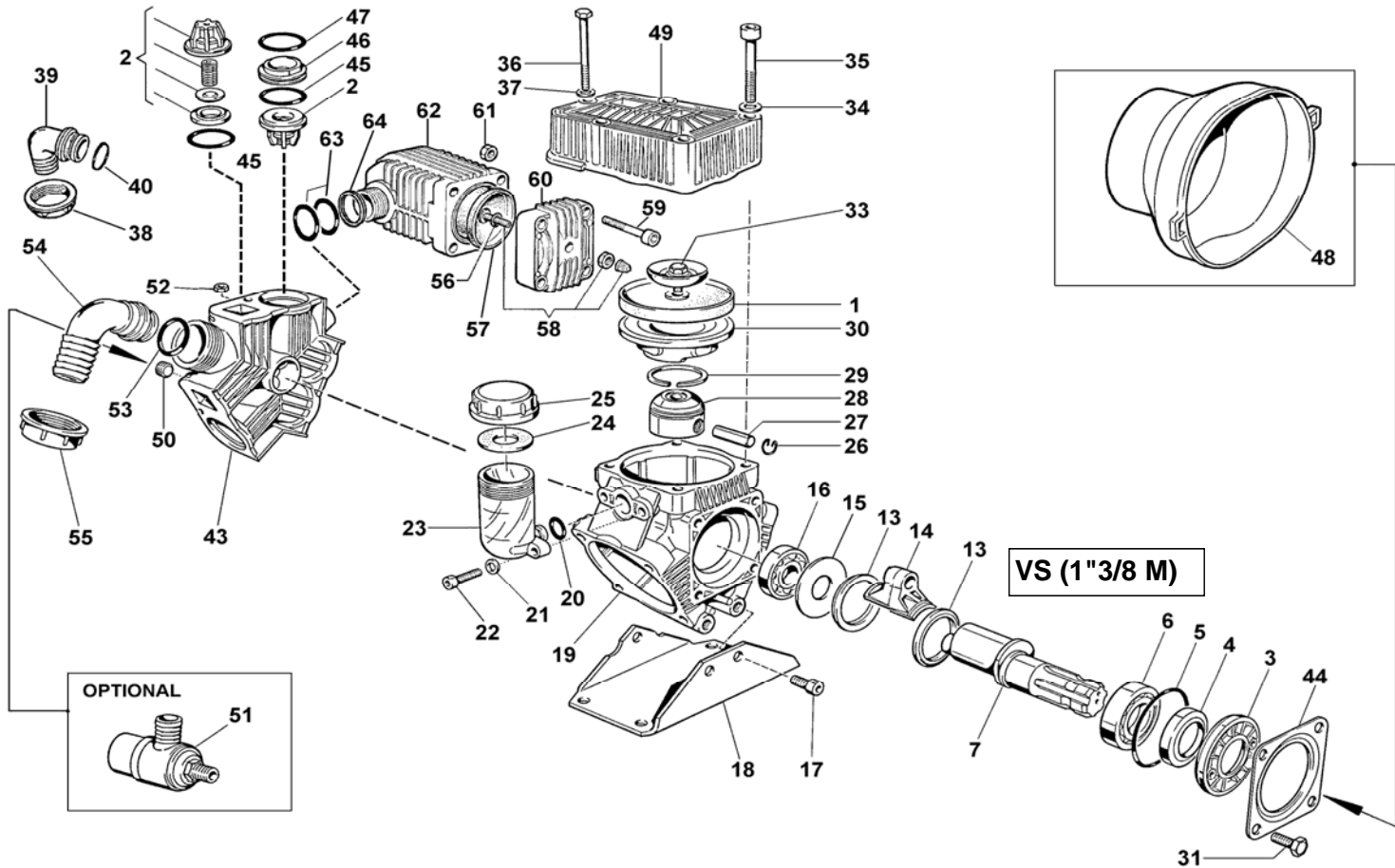
LUBRIFICANTE- LUBRICANT:				
OLIO MOTORE O SEMIDRAULICO SAE 30 MOTOR OIL OR SEMI-HYDRAULIC OIL SAE 30				
PRESSIONE ACCUMULATORE ACCUMULATOR PRESSURE				
PRESSIONE DI LAVORO - OPERATING PRESSURE	2 ÷ 5	5 ÷ 10	10 ÷ 20	20 ÷ 50
ACCUMULATORE ACCUMULATOR	2	2 ÷ 5	5 ÷ 7	6 ÷ 8

KIT MEMBRANE - DIAPHRAGMS KIT

KIT	63.9828.97.3	BUNA - N				63.9829.97.3	DESMOPAN				63.9831.97.3	VITON					63.9832.97.3	PENTAX			
		1	45	47	57		1	45	47	57		1	45	47	63	57		1	45	47	57
POSIZIONE ESPLOSO POSITION NUMBER																					
QUANTITA' NEL KIT QUANTITIES INCLUDED	3	6	4	1	3	6	4	1	3	6	4	1	1	3	6	4	1				

KIT POMPA/KIT VALVOLE - PUMP KIT/VALVES KIT

KIT	63.9827.97.3	KIT POMPA VS PUMP KIT VS				63.9870.97.3	KIT VALVOLE VALVES KIT			63.9872.97.3	KIT VAM INOX VALVES KIT		
		5	4	45	47		2	45	47		2	45	47
POSIZIONE ESPLOSO POSITION NUMBER													
QUANTITA' NEL KIT QUANTITIES INCLUDED	1	1	6	4	6	6	4	6	6	4			



POS.	CODICE PART NO. REF.	DENOMINAZIONE - DESCRIPTION - DESCRIPTION	Q.TY	POS.	CODICE PART NO. REF.	DENOMINAZIONE - DESCRIPTION - DESCRIPTION	Q.TY
1	95.0040.31.2	PISTON DIAPHRAGM	3	46	28.0229.32.2	VALVE ASSY SPACER	4
1	95.0040.33.2	VITON PISTON DIAPHRAGM (OPT.)	3	47	80.3219.80.2	O-RING 3,0x39	4
1	95.0040.00.2	DESMOPAN PISTON DIAPHRAGM (OPT.)	3	47	80.3219.90.2	O-RING 3,0x39 (KIT VITON)	4
2	28.9809.97.3	S.S. VALVE ASSY	6	48	31.1468.32.2	PLAIN SAFETY CONE (OPTIONAL)	1
3	53.0007.32.2	HOUSING	1	49	63.0022.32.2	HEAD	3
4	80.2143.10.2	OIL SEAL DIA.35x52x7	1	50	85.2585.00.2	CAP G.3/8	1
5	80.3310.00.2	O-RING 4.0X82	1	51	24.3016.97.3	SAFETY VALVE 15bar (OPTIONAL)	1
6	81.2837.00.2	BEARING DIA.35x62x14	1	52	81.4574.50.2	NUT M8 UNI5588	3
7	63.0009.26.2	CRANKSHAFT "VS" VERSION	1	53	80.3219.15.2	O-RING 3,0x30 VITON	1
13	26.0047.76.2	CONNECTING ROD RING	2	54	84.0570.00.2	90° ELBOW CONNECTOR DIA.35-1,37" (OPT.)	1
14	23.0005.09.2	LIGHT ALLOY CONROD	3	54	84.0561.00.2	90° ELBOW CONNECTOR DIA.30-1,18" (OPT.)	1
15	95.0097.61.2	CRANKSHAFT SPACER	1	54	84.0566.00.2	90° ELBOW CONNECTOR DIA.32-1,25" (OPT.)	1
16	81.2646.00.2	BEARING DIA.20x52x15	1	54	84.0571.00.2	90° ELBOW CONNECTOR DIA.38-1,49" (OPT.)	1
17	86.3264.00.2	SCREW M10x25 UNI5931	3	54	84.0591.00.2	90° ELBOW CONNECTOR DIA.40-1,57"	1
18	63.0006.61.2	MOUNTING RAIL	1	55	82.0070.00.2	WING NUT G.1"1/2	1
19	63.0101.09.2	CRANKCASE	1	56	80.3213.00.2	O-RING 3,0x6	1
20	80.3180.00.2	O-RING 2,62x15,08	1	57	23.0041.31.2	BALLASTER DIAPHRAGM	1
21	84.3685.50.2	WASHER DIA.8,2x15x1,5	2	58	86.1608.50.2	AIR VALVE	1
22	86.2682.50.2	SCREW M8x25 UNI5931	2	59	86.2752.10.2	SCREW TCEI M8x35	4
23	23.0008.32.2	OIL FILLER	1	60	11.0004.09.2	BALLASTER COVER	1
24	82.4120.00.2	GASKET DIA.45x19x1,5	1	61	81.4574.50.2	NUT M8	4
25	85.2750.00.2	OIL FILLER CAP	1	62	27.0035.32.2	DAMPER BODY	1
26	80.0021.00.2	RING DIA.15	6	63	80.3207.00.2	O-RING 2,62x29,82	2
27	85.2006.70.2	PISTON PIN DIA.15	3	63	80.3207.50.2	O-RING 2,62x29,82 (KIT VITON)	2
28	63.0103.09.2	PISTON	3	64	63.0120.32.2	DAMPER SPACER	1
29	81.8524.00.2	PISTON RING	3				
30	63.0104.01.2	PISTON SLEEVE	3				
31	86.3187.50.2	SCREW M10x18 UNI5739	4				
33	63.9806.97.3	KIT SCREW/DISK INOX	3				
34	84.3801.50.2	WASHER DIA.10,5x21x2	12				
35	86.3562.50.2	SCREW M10x70 UNI5931	12				
36	86.3002.00.2	SCREW M8x75 UNI5931	3				
37	84.3693.00.2	WASHER DIA.8,4x17x1,6	3				
38	82.0067.50.2	WING NUT G.1"1/4	1				
39	84.0542.40.2	90° ELBOW CONNECTOR DIA.25-1"	1				
40	80.3219.05.2	O-RING 3,0x25 VITON	1				
43	63.0116.32.2	MANIFOLD	1				
44	17.0016.61.2	FLANGE	1				
45	80.3320.60.2	O-RING 5,0x40	6				
45	80.3320.70.2	O-RING 5,0x40 (KIT VITON)	6				